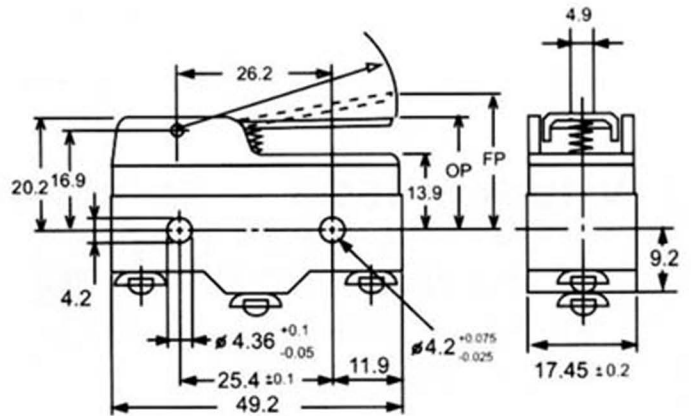


Z-15GW1



Features :

General Standard

Specifications:

Operating Frequency: 0.01mm-1m/sec

Rated Voltage/Current: 15/600VAC(UL file 240199)

Service Life: Mechanically 1×10^7 (operations)
Electrically 5×10^5 (operations)

Operating Temperature: about $-25 \sim +80$ ($-4 \sim +176$)

Humidity: $<95\%RH$

Degree of protection: IP00/IP63

Dielectric Strength:

1000VAC for 1 min between current carrying parts

2500VAC for 1 min between non-current carrying parts

Operating Characteristics

← 49.2 →

• OF_{max} 1.03N

• RF_{min} 0.21N

• PT_{max} 6.6mm

• OT_{min} 3.7mm

• MD_{max} 0.85mm

• FP_{max} 24.5mm

• OP $18.4 \pm 0.5mm$